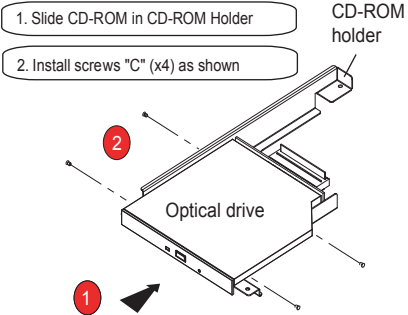
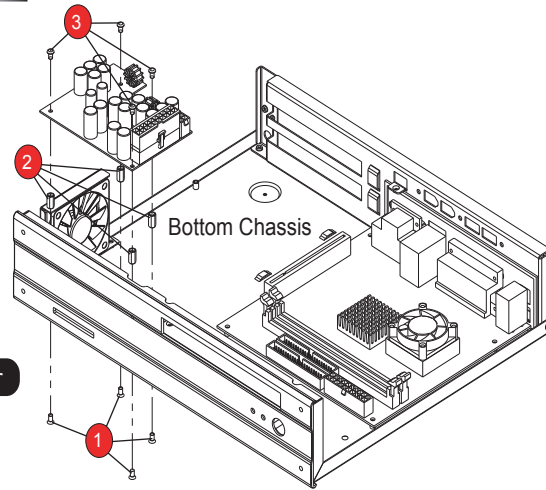


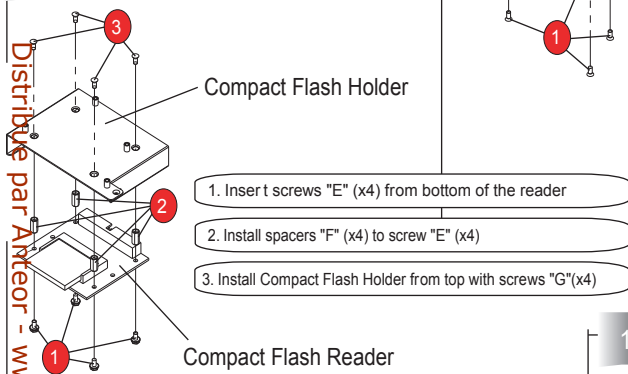
7. Install CD-ROM to Holder



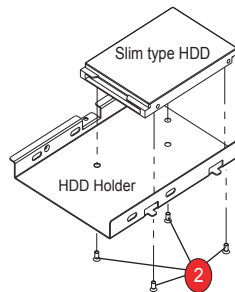
8. Install P4 DC to DC Converter to bottom chassis



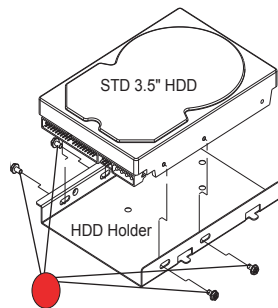
9. Install Compact Flash Reader to the Holder



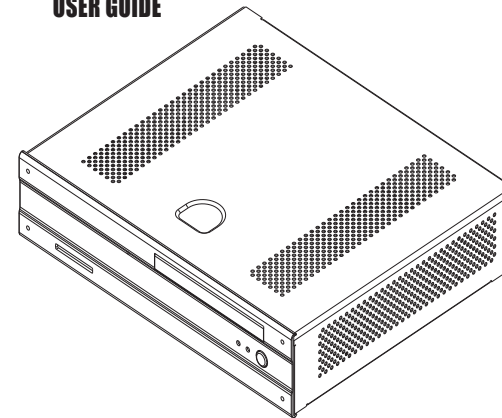
10. Install Slim type HDD to HDD Holder



11. Install STD 3.5" HDD to the HDD Holder



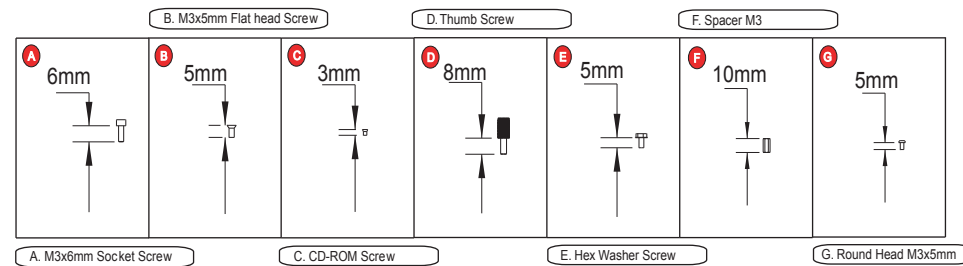
**Travla Series**  
**Model : C137**  
**2.7" x 12.7" x 10.5" (HxWxD)**  
**QUICK START**  
**USER GUIDE**



Index

- 1) Remove Top Cover
- 2) Remove CD-ROM Holder and CD-ROM Filler Panel
- 3) Remove HDD Holder
- 4) Remove Compact Flash Holder
- 5) Seven Different Ways to Assemble the Component Holders
- 6) Installation of PCI slot and riser extender
- 7) Install CD-ROM to Holder
- 8) Install P4 DC to DC Converter to HDD
- 9) Install Compact Flash Reader to the Holder
- 10) Install Slim type HDD to HDD Holder
- 11) Install Standard 3.5" HDD to HDD Holder

Screw Identification Guide

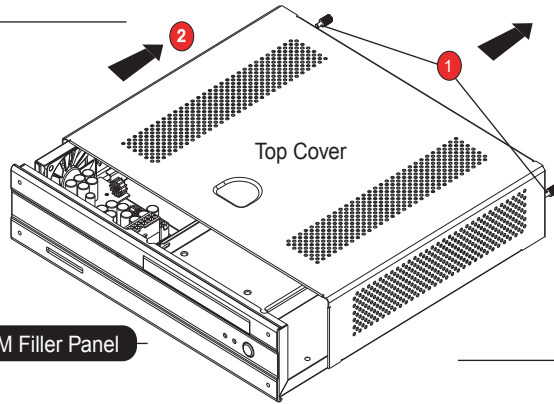


**WARNING:** Installation and service of this product should only be performed by qualified personnel to avoid damage to this product and risk of injuries.

For more information on DC to DC converter, please visit [www.DC2DC.com](http://www.DC2DC.com)  
 Also, visit [www.TRAVLA.com](http://www.TRAVLA.com) for more information to this product.  
 Copyright © 2003-2005 [www.Travla.com](http://www.Travla.com)

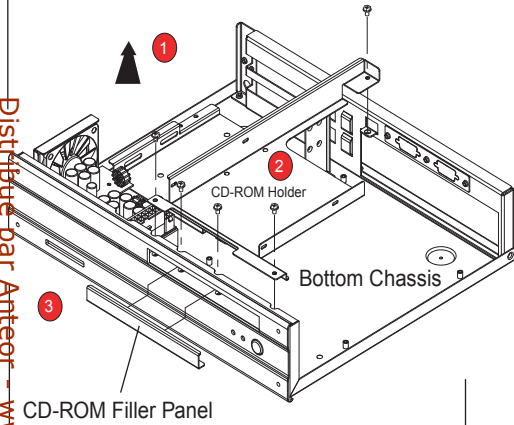
## 1. Remove Top Cover

1. Loosen screws "D" (x2)
2. Slide out Top Cover



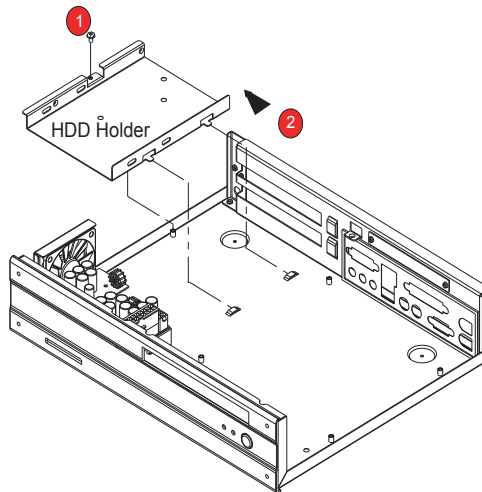
## 2. Remove CD-ROM Holder and CD-ROM Filler Panel

1. Remove screws "E" (x5)
2. Remove CD-ROM Holder
3. Remove CD-ROM Filler Panel



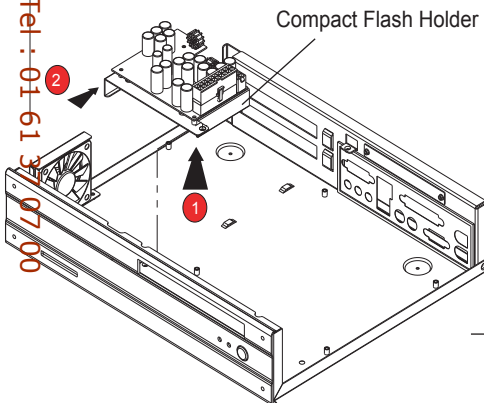
## 3. Remove HDD Holder

1. Remove screw "E" (x1)
2. Slide out HDD Holder as shown

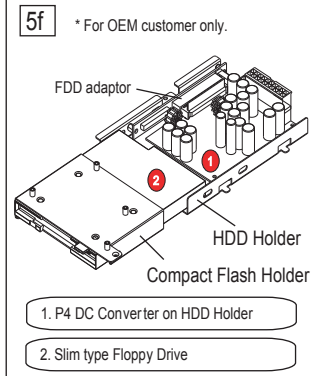
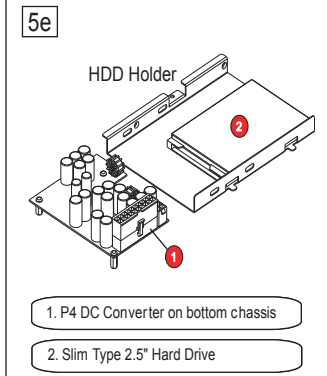
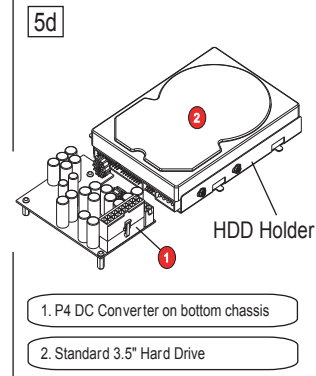
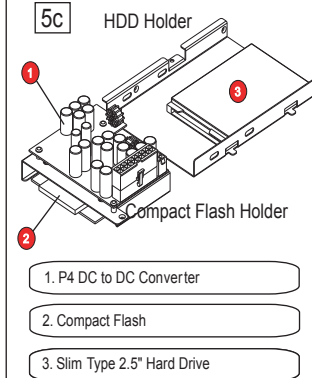
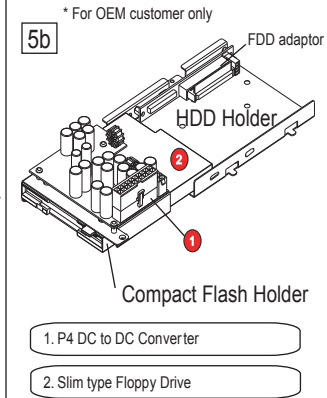
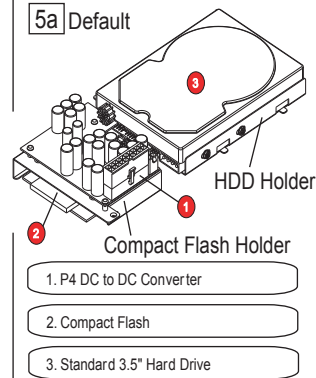


## Remove Compact Flash Holder

1. Remove screw "E" (x1)
2. Slide out Compact Flash Holder toward rear



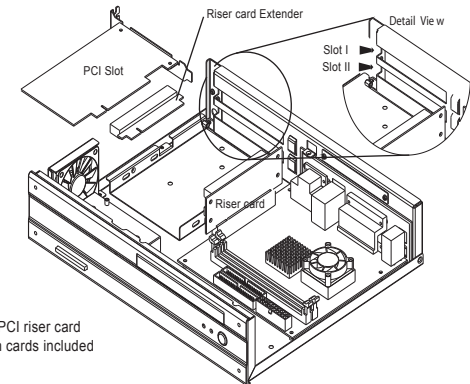
## 5. Seven Different Ways to Assemble the Component Holders



Available Expansion Slots and Length (refer to Steps 5 & 6)

config	5a	5b	5c	5d	5e	5f
Slot I	yes (6")	yes (6")	yes (6")	yes (8.5")	yes (8.5")	yes (8.5")
Slot II	No	yes (6")	yes (6")	No	yes (6")	No

## 6. Installation of PCI slot and Extension Riser Card



Note:  
Single 32-bit PCI riser card  
and extension cards included